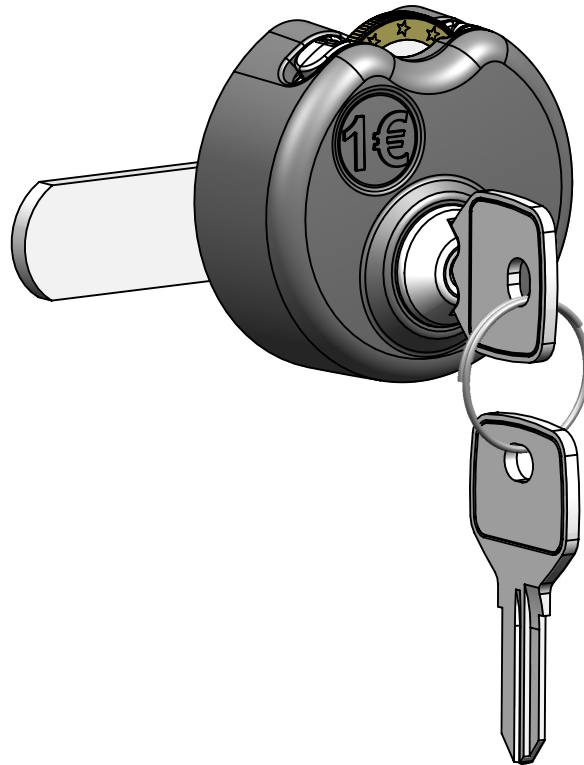


## Technical Information

---

Coin Operated Lock 1606



Product description .....	2
Fitting dimensions .....	3
Mounting by Nut (Standard) .....	4
Mounting by Screws .....	5
Operating .....	6
Set / Change direction of rotation .....	7
Change cylinder .....	8
Ordering matrix cam .....	9
Ordering matrix lock .....	10

---

## Product description / Features

---

- Coin operated lock, usable as cam lock
- Easy to retrofit on most lockers with 16x19mm fixing holes
- Emergency opening by master key
- Compact and robust design
- Easy and self-explaining operation
- Cylinder with key bend protection and insertion guide
- User-friendly reversible key
- Direction of rotation R/L settable
- 1.000 keyed-different cylinders
- Cylinder core exchangeable
- Lock fixing by nut (A/F 22)
- Housing made of fibreglas-reinforced plastic
- Mechanism completely made of metal

## Standard Product Contents

---

- Coin operated lock
- 2 pcs. user keys (1. key inserted, 2. key on ring)
- Cam (mounted)
- Fixing material

## Optional Accessories (ordering separately)

---

- Master key
- Exchange cylinder core incl. two user keys
- Locking device (to lock and pull out the key without coin, e.g. for locker transport)

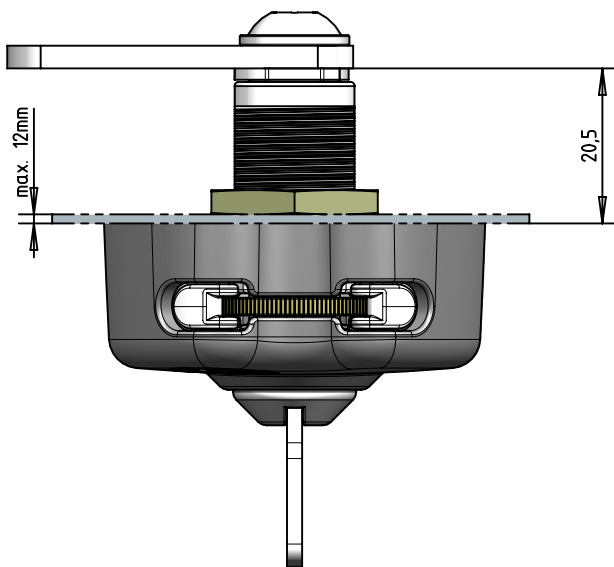
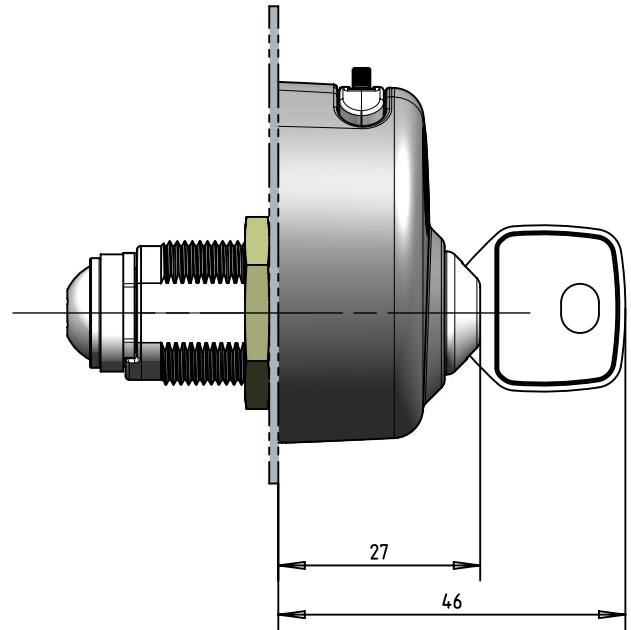
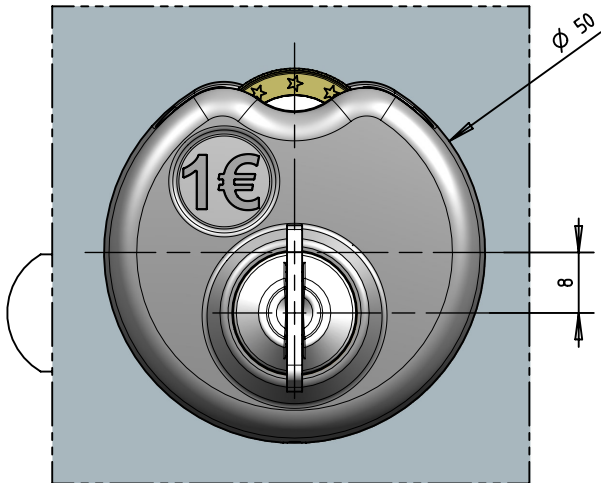
## General intructions for use

---

- Do not expose the lock to enviromental influences like water, moist and dust.
  - To use within temperature range from 0-50°C (32°F to 120°F)
  - For cleaning use damp cloth and common household detergent
  - Don't use aggressive or chemical products
  - When cleaning avoid that water or detergent enters the lock
-

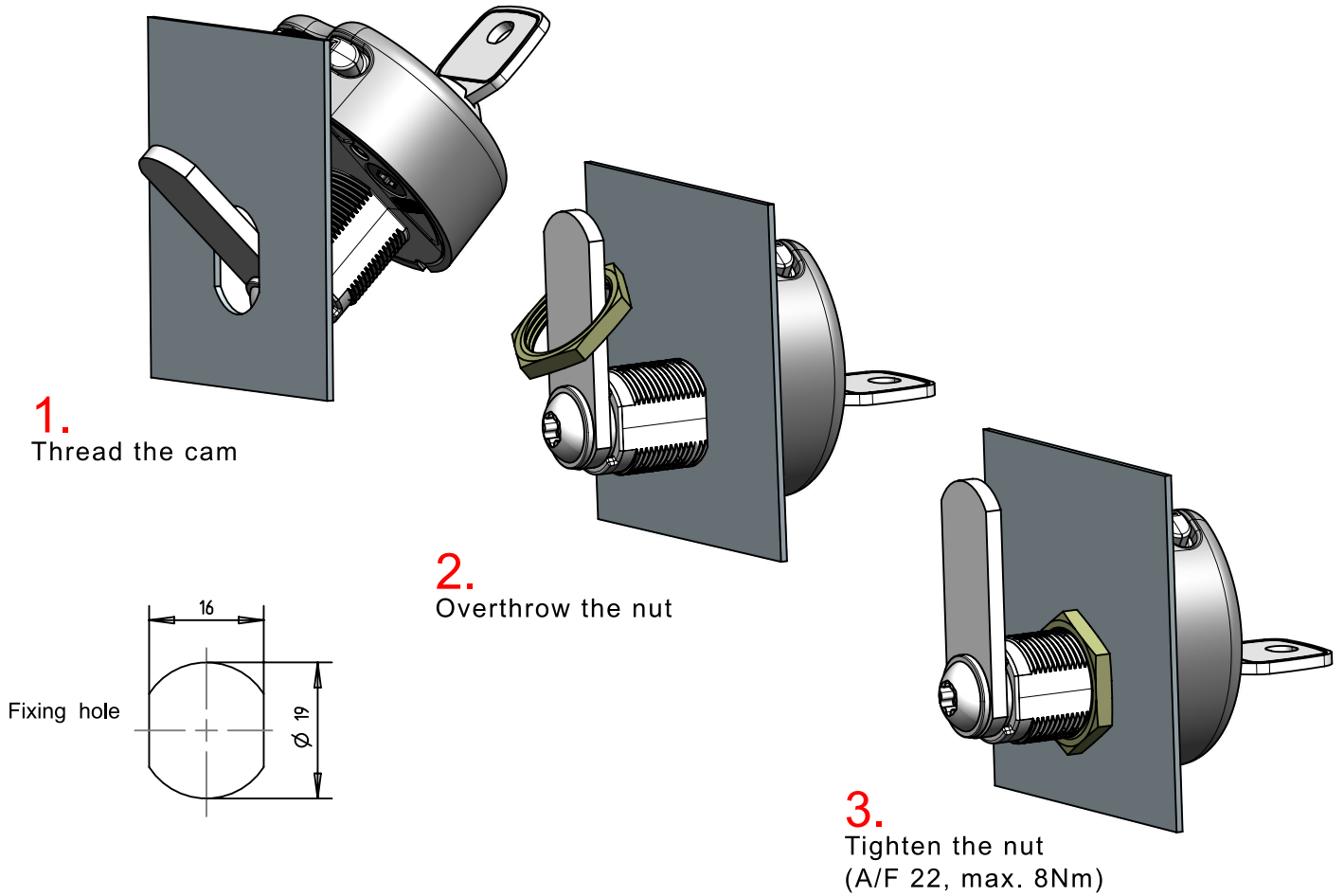
### Fitting dimensions

---

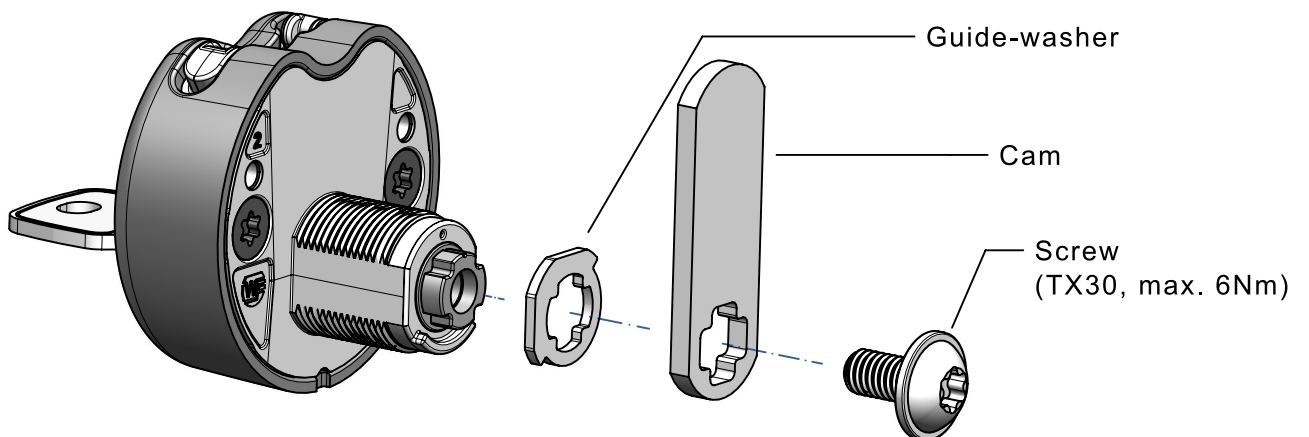


## Mounting by Nut

Lock mounting with pre mounted cam (Standard)

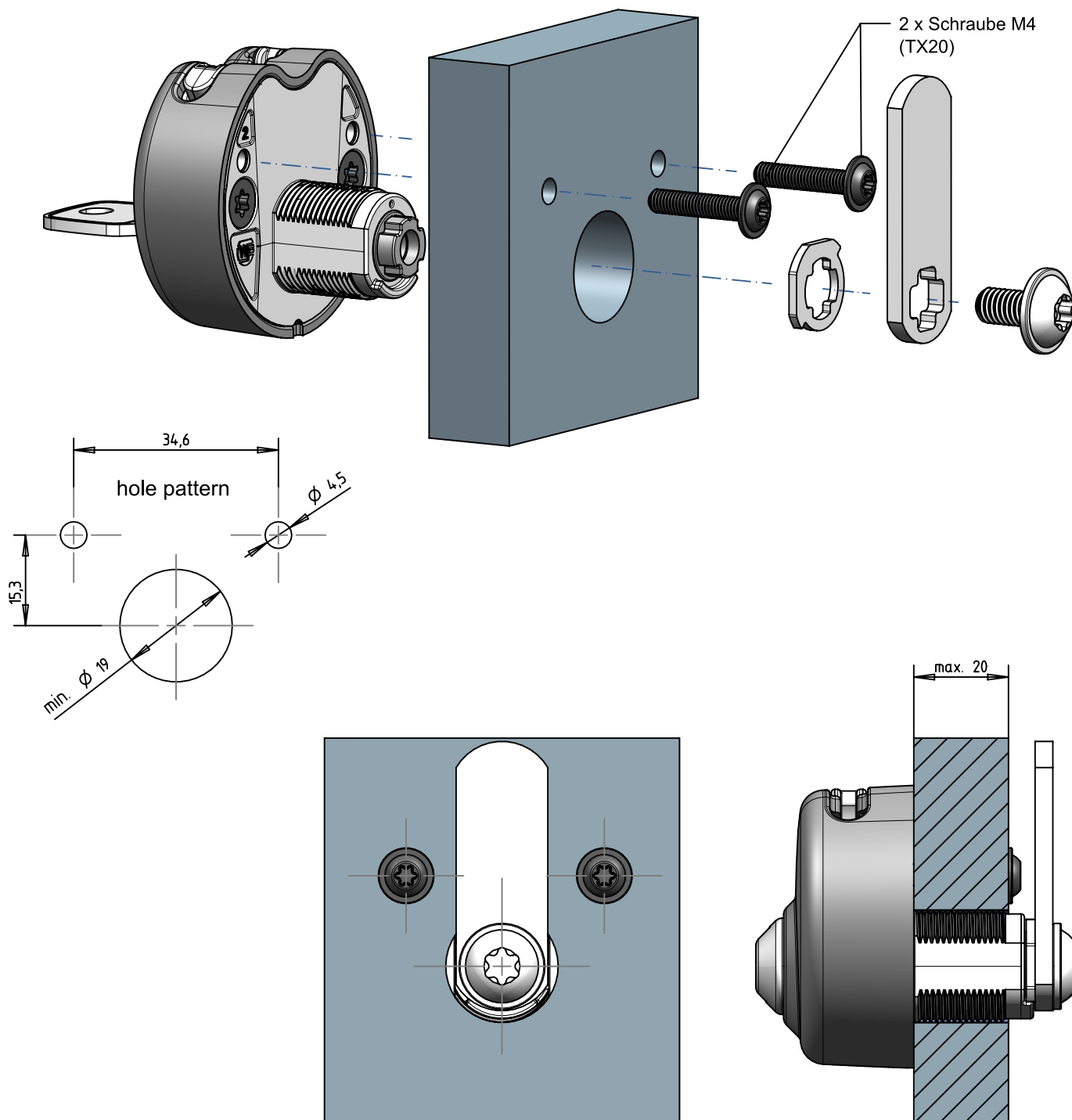


Cam mounting with using own cams



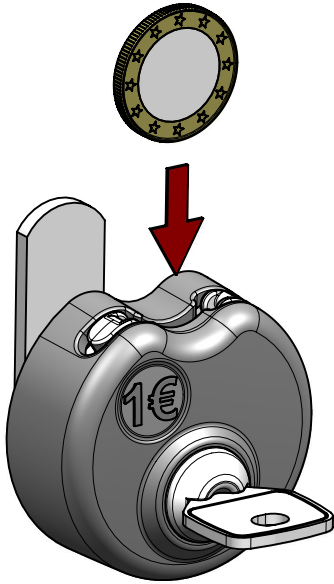
## Mounting by screws

- Intended for doors without 16x19mm fixing hole and/or thicker than 12mm
- Suitable for plexiglass, laminate or wooden doors up to 20mm
- If this mounting is required, please indicate on the order (incl. door thickness)

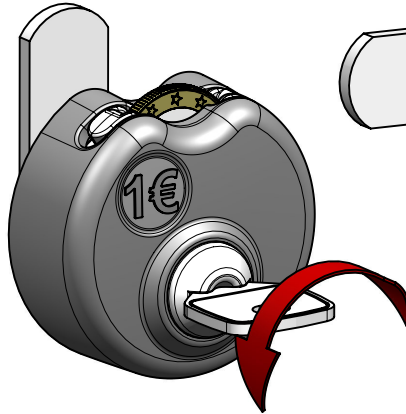


## Operating

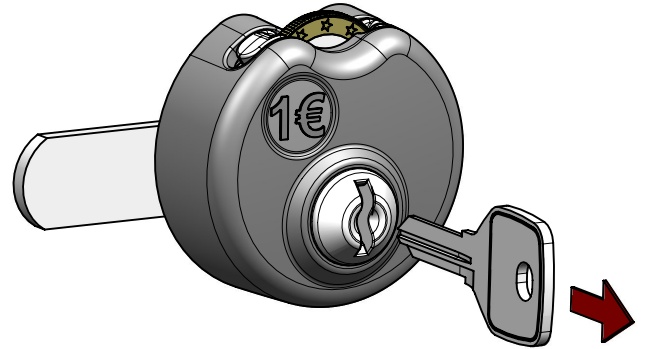
### Closing



1. Insert coin

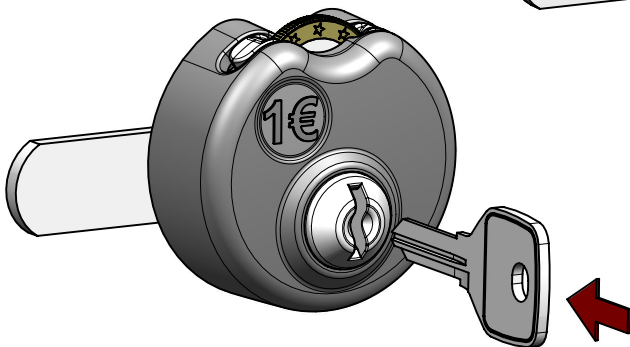


2. Turn key vertically

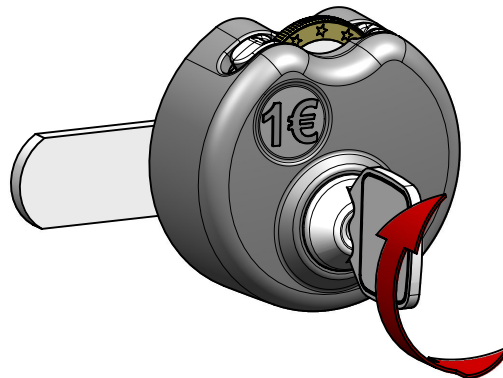


3. Remove key

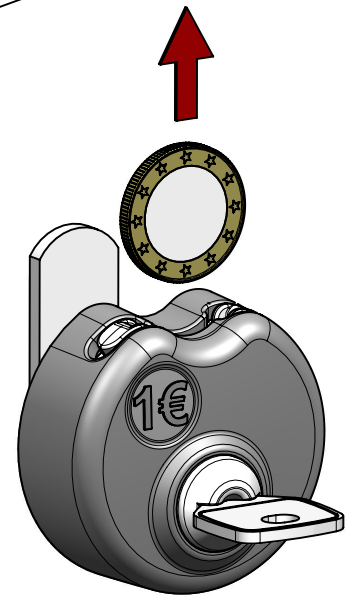
### Opening



1. Insert key



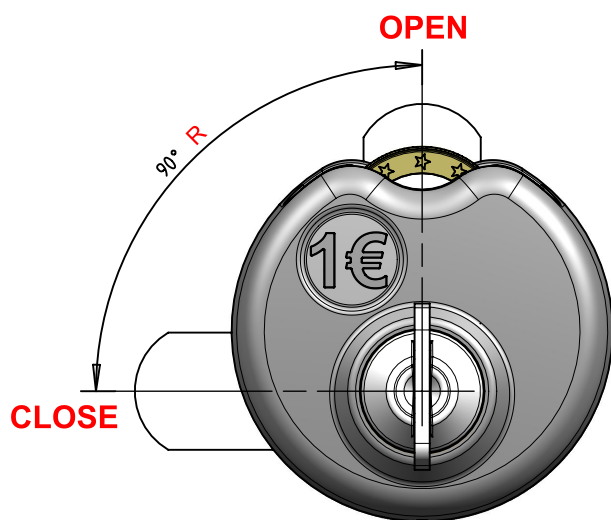
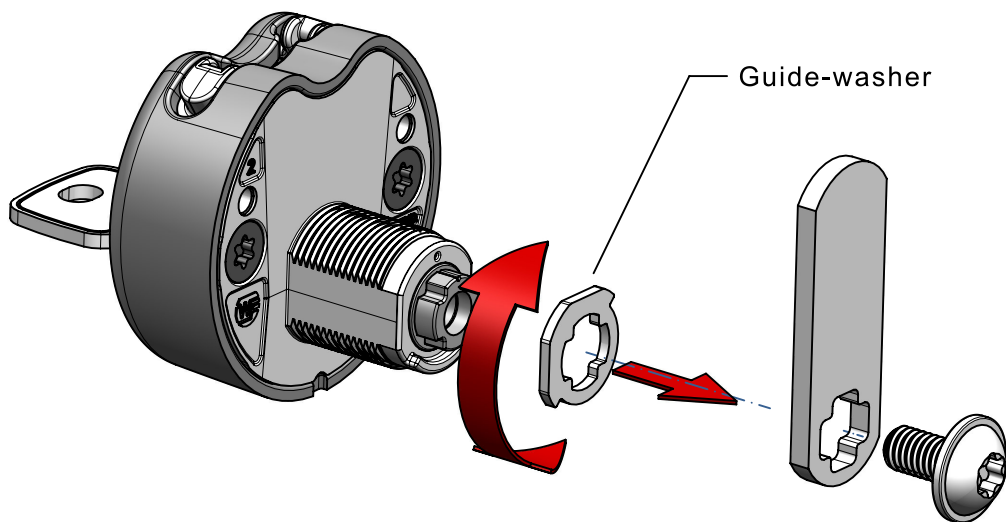
2. Turn key horizontally



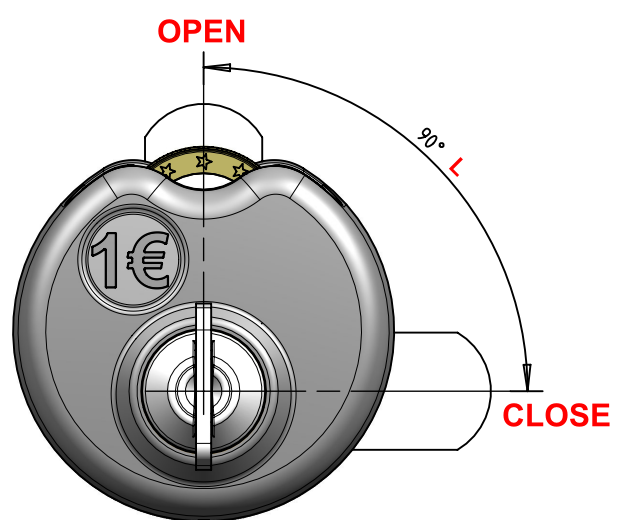
3. Remove coin

## Set / Change direction of rotation

- Direction of rotation means the direction of the key to open the lock
- The direction of rotation is factory pre-set according order details
- The direction of rotation can be changed by turning the guide-washer



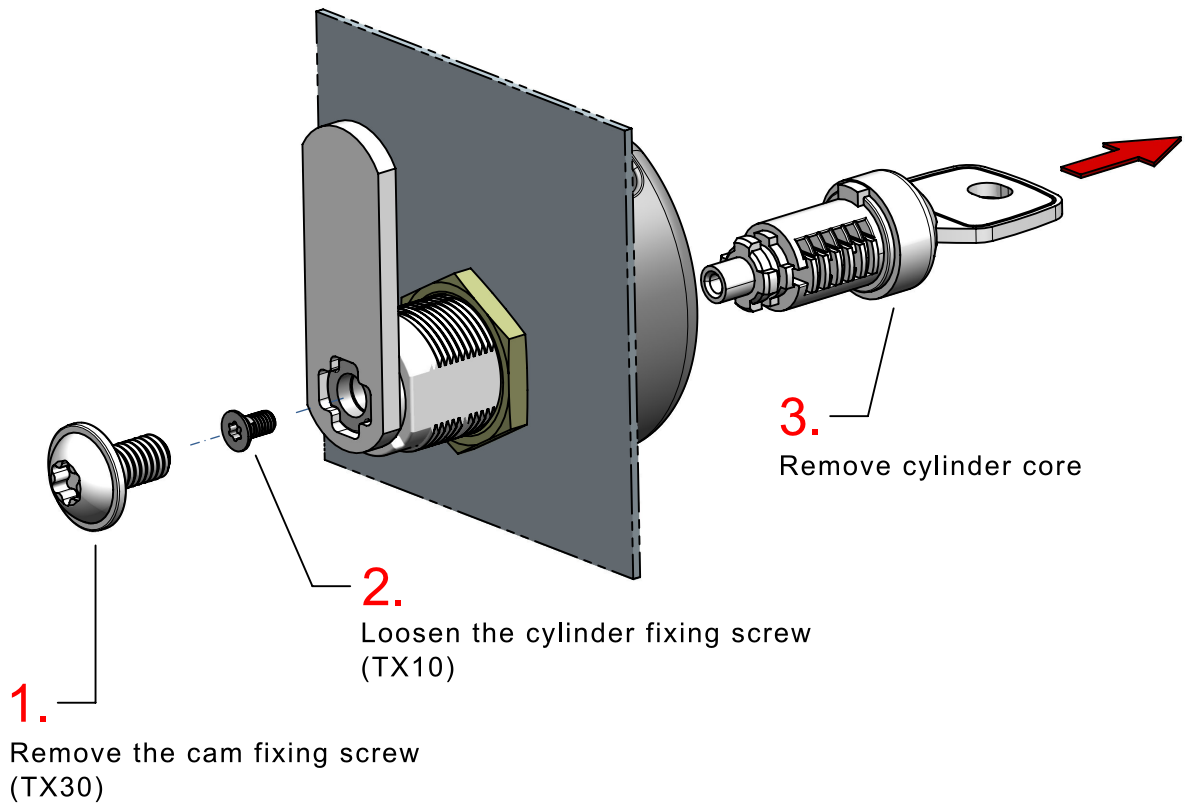
Rotation "**R**"  
for right hinged doors



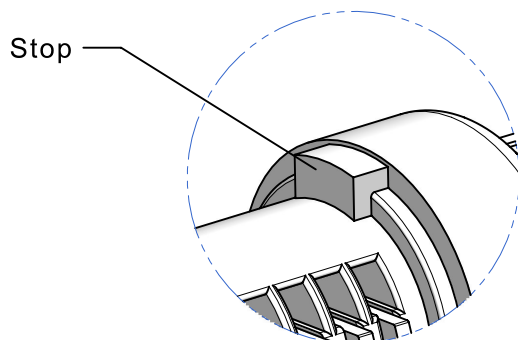
Rotation "**L**"  
for left hinged doors

## Change cylinder

- If required, the cylinder core can be changed (e.g. in case of lost key)
- The replacement is done with open lock, without coin and key in horizontally position



- Mounting of the new cylinder core takes place in reverse order
- When mounting make sure the stop of the core shows upwards





# Ordering Matrix

**1. Thickness "T"**

T = 2mm / 3mm

**2. Shape**

**3. Height of crank "A"**

A	mm	for shape
00	0	-1-2-
03	1,2	-3-5-6-
04	1,6	-3-5-6-
05	2,0	-3-5-6-
06	2,4	-3-5-6-
07	2,8	-3-5-6-
08	3,2	-3-5-6-
10	4,0	-3-5-6-
12	4,8	-3-4-5-6-7-8-
14	5,6	-3-4-5-6-7-8-
16	6,4	-4-7-8-9-
20	7,9	-4-7-8-9-
21	8,3	-3-5-6-
25	9,9	-3-4-5-6-7-8-9-
28	11,1	-4-7-8-9-
32	12,7	-3-4-5-6-7-8-9-
34	13,5	-4-7-8-9-
38	15,0	-4-7-8-9-
40	15,9	-4-7-8-9-
44	17,5	-4-7-8-9-
48	19,1	-4-7-8-9-
50	19,9	-4-7-8-9-
64	25,4	-4-7-8-9-
72	28,6	-4-7-8-9-

**4. Length "B"**

-Length in 1mm steps  
(stretched length max. 100mm)

**5. End of cam**

DO (Standard)

DX

DB

order example cam:

**C1606-3-4-20-38-DO**

# Ordering Matrix Lock

Always needed specification

Only needed with premounting of cam

**1. Colour**

**B**  
(black)

**G**  
(dusty grey)  
(RAL 7037)

**2. Coin**

1 Euro	EU
100 Hungarian Forint	FT
1 Swiss Franc	SF
5 Polish Zloty	ZL
1 British Pound	BP
10 Czeck Koruna	KC
1 Bulgarian Lev	LV

**3. Master lock system**

A
B
C
D

**4. Direction of rotation**  
(Direction of key to open the lock)

R: for right hinged doors  
L: for left hinged doors

**4. Cam position**  
(View from front when locked)

**5. Crank direction**  
(If cranked)

Order example for a coin lock in black, for 1 Euro coins, master lock system A, for right hinged doors, with cranked cam:

L1606 - B - EU - A - R - 09 - H

Order example for a master key, matching the lock above:

S1606- A